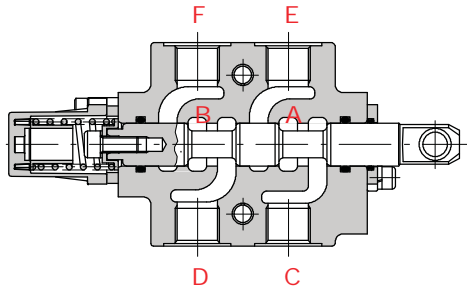
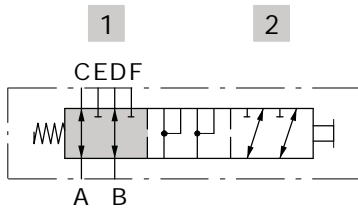


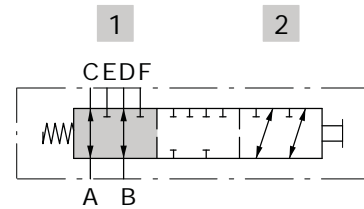
6-way



Spool type A



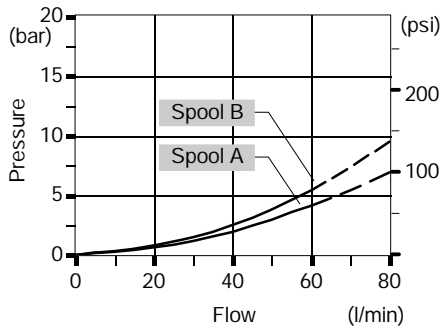
Spool type B



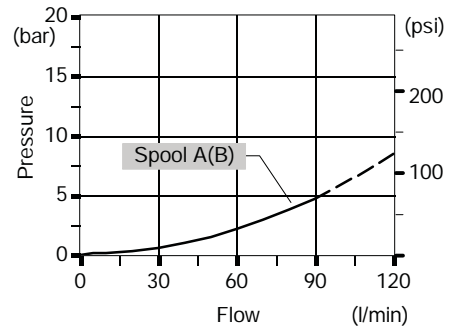
Performance data

Pressure drop versus flow: A→C(E).

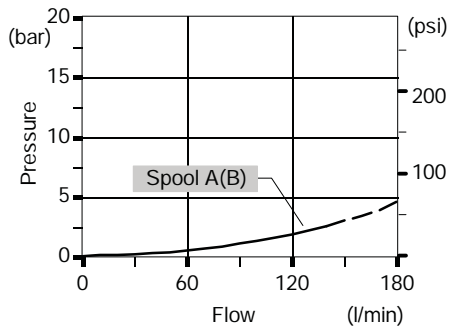
DF5/6



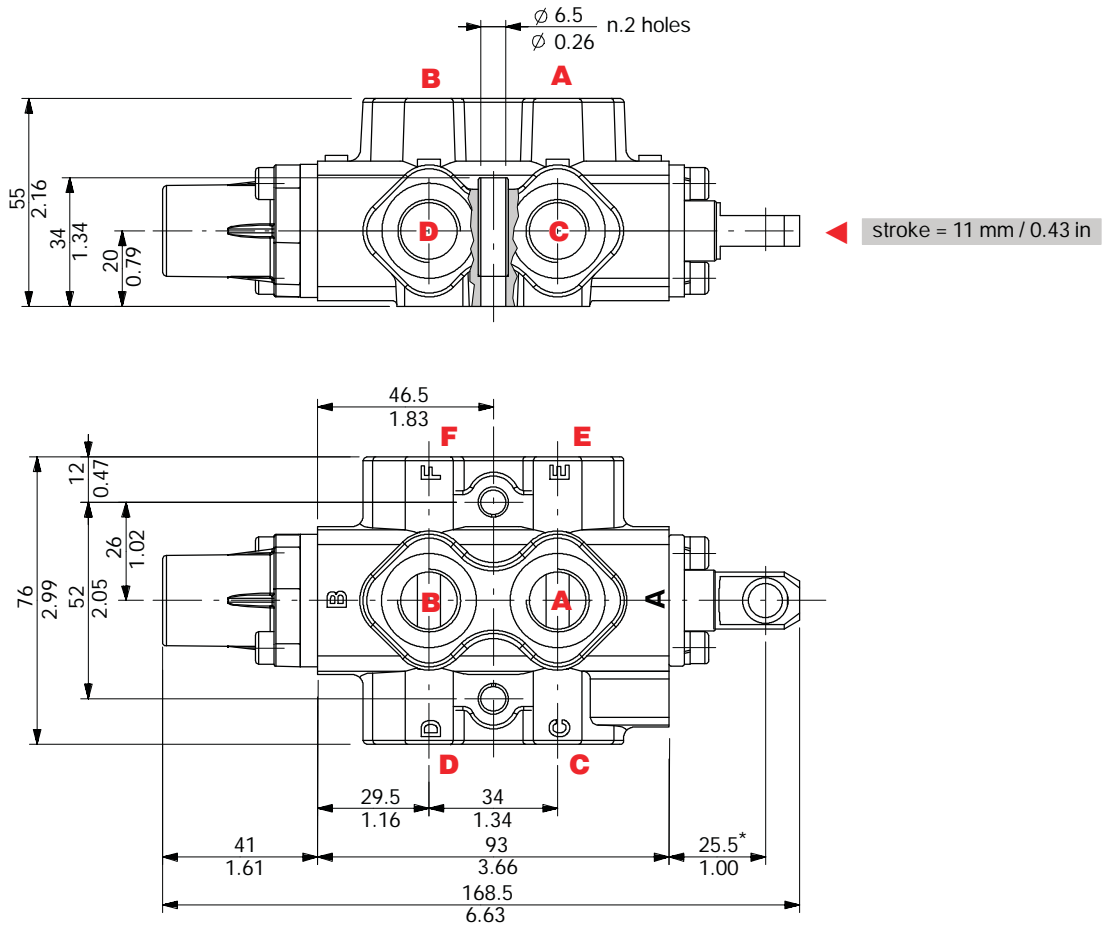
DF10/6



DF20/6

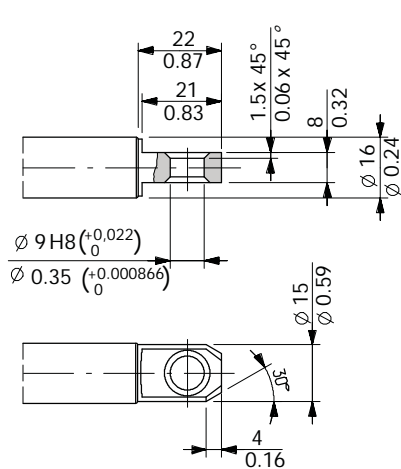


6-way DF5/6 valve



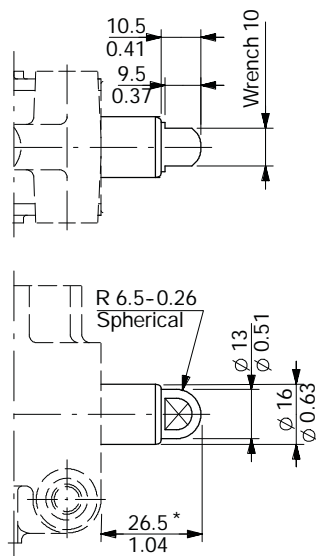
Spool end

Standard end

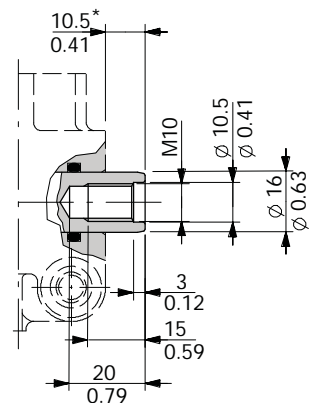


NOTE (*) - With spool out
(positioner kit type 17)

Spherical end type T

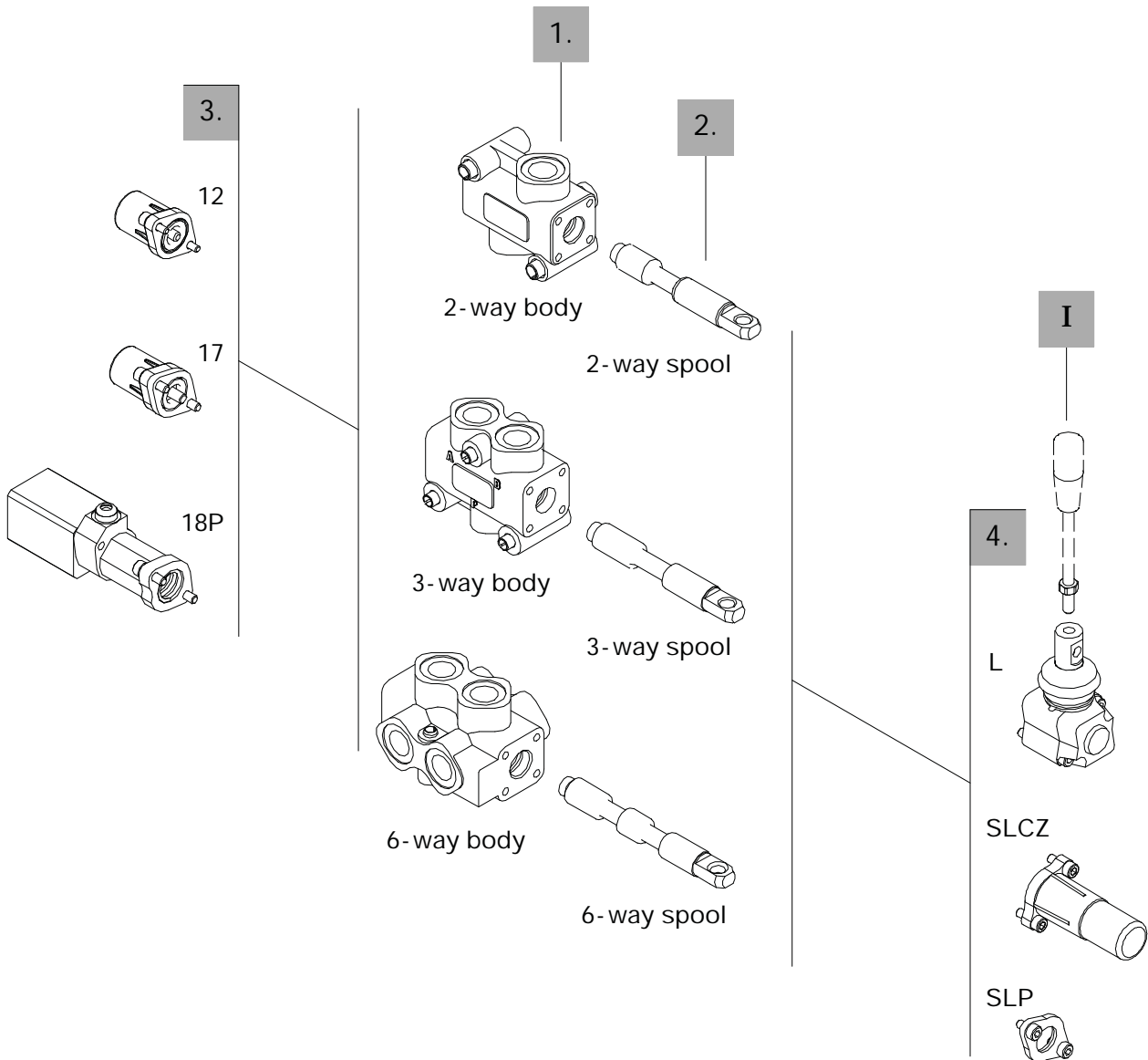
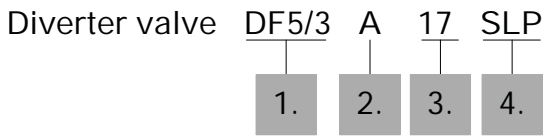


Rotary cam prearrangement



Ordering codes

Description example:



2-way

1. Kit corpo *

TYPE	BODY	DESCRIPTION
DF5/2	5CO2220300	Standard body kit

Include body and seals

2. Spool options

TYPE	CODE	DESCRIPTION
A	3CAS105210	2 positions with open centre in neutral
B	3CAS105110	2 positions with closed centre in neutral
AT	3CAS105230	As type A with spherical end
BT	3CAS105130	As type B with spherical end
AC	3CAS105220	As type A prearranged for cam control
BC	3CAS105120	As type B prearranged for cam control

3-way

1. Body kit *

TYPE	CODE	DESCRIPTION
DF5/3	5CO2221300	Standard body kit

Include body and seal

2. Spool options

TYPE	CODE	DESCRIPTION
A	3CAS105310	3-way, 2 positions with ports connected in transit position
B	3CAS105410	3-way, 2 positions with ports closed in transit position
AT	3CAS105330	As type A with spherical end
AC	3CAS105320	As type A prearranged for cam control
BC	3CAS105420	As type B prearranged for cam control

6-way

1. Body kit *

TYPE	CODE	DESCRIPTION
DF5/6	5CO2222300	Standard body kit

Include body and seals

2. Spool options

TYPE	CODE	DESCRIPTION
A	3CAS105610	6-way, 2 positions with ports connected in transit position
B	3CAS105710	6-way, 2 positions with ports closed in transit position
AC	3CAS105620	As type A prearranged for cam control
BC	3CAS105720	As type B prearranged for cam control

3. Positioner kits page 14

TYPE	CODE	DESCRIPTION
12	5V12105000	Detent in positions 1 and 2
17	5V17105000	Spring return in position 1
17Y	5V17105010	As type 17, it must be coupled to IA2 control
18ME	5V18405110	Spring return in position 2
18P	5V18105700	ON/OFF pneumatic kit with spring return in position 2
18IA1	5V18105820*	ON/OFF high pressure hydraulic kit with spring return in position 2
18IB1N	5V18105811*	Comando idraulico a bassa pressione con ritorno a molla in posizione 2

4. Control kits page 17

TYPE	CODE	DESCRIPTION
SLP	5COP105000	Without lever box with dust-proof plate kit
SLCZ	5COP205030	Without lever box with endcap
TQ	5TEL105110	Flexible cable connection
L	5LEV105000	Standard kever box
CB	5CAM105020	Cam control
IA2	5IDR505000*	ON/OFF high pressure hydraulic control
IB2	5IDR705000*	ON/OFF low pressure hydraulic control

I Optional handlever

TYPE	CODE	DESCRIPTION
AL01/M8x120	170011012	For lever L: height 120 mm / 4.72 in

NOTE (*) - Codes are referred to BSP thread.